



3-TON SERVICE JACK OWNER'S MANUAL



WARNING:

Read carefully and understand all **ASSEMBLY AND OPERATION INSTRUCTIONS** before operating. Failure to follow the safety rules and other basic safety precautions may result in serious personal injury.

Item# 46226

Thank you very much for choosing a Strongway product! For future reference, please complete the owner's record below:

Model: _____ Purchase Date: _____

Save the receipt, warranty and these instructions. It is important that you read the entire manual to become familiar with this product before you begin using it.

This machine is designed for certain applications only. The distributor cannot be responsible for issues arising from modification. We strongly recommend this machine not be modified and/or used for any application other than that for which it was designed. If you have any questions relative to a particular application, DO NOT use the machine until you have first contacted the distributor to determine if it can or should be performed on the product.

For technical questions please call **1-800-222-5381**.

INTENDED USE

This heavy-duty jack has a single hydraulic pump piston that effortlessly raises the lift arm. Pump piston dust shields and wiper seals protect the hydraulic system from contaminants. The jack features an overload valve bypass system to prevent jack damage and user injury. Compact design allows use in confined spaces. Easily fits under low vehicles. Meets ASME PASE safety standards.


TECHNICAL SPECIFICATIONS


| | Description |
|---------------------|------------------------------|
| Item | 46226 |
| Maximum Capacity | 6,000 lbs. |
| Minimum Lift Height | 4 inches |
| Maximum Lift Height | 18-5/16 inches |
| Product Size | 26.93in. x 13.39in. x 6.3in. |
| Weight | 78.85 lbs. |

Safe Operating Temperature is between 40°F – 105°F (4°C - 41°C)

GENERAL SAFETY RULES

 **WARNING:** Read and understand all instructions. Failure to follow all instructions listed below may result in serious injury.

 **CAUTION:** Do not allow persons to operate or assemble this jack until they have read this manual and have developed a thorough understanding of how the jack works.

 **WARNING:** The warnings, cautions, and instructions discussed in this instruction manual cannot cover all possible conditions or situations that could occur. It must be understood by the operator that common sense and caution are factors that cannot be built into this product, but must be supplied by the operator.

SAVE THESE INSTRUCTIONS

IMPORTANT SAFETY CONSIDERATIONS

DO NOT OPERATE OR REPAIR THIS EQUIPMENT WITHOUT READING THIS MANUAL.

To maintain the Service Jack and user safety, the responsibility of the owner is to read and follow these instructions.

- Inspect the service jack for proper operation and function.
- Keep instructions readily available for equipment operators.
- Make certain all equipment operators are properly trained; understand how to safely and correctly operate the unit.
- Allow unit operation only with all parts in place and operating properly.
- Use only genuine replacement parts.
- Service and maintain the unit only with authorized or approved replacement parts; negligence will make the jack unsafe for use and void the warranty.
- Carefully inspect the unit on a regular basis and perform all maintenance as required.
- Store these instructions in the handle of your jack.
- Keep all decals on the unit clean and visible.

Safety

Always follow safety precautions when installing and operating this jack. Keep all decals on the unit clean and visible. Before proceeding ensure that you fully understand and comprehend the full contents of this manual. Failure to operate this equipment as directed may cause injury or death. The distributor is not responsible for any damages or injury caused by improper use or neglect.



WARNING:

Always use Jack Stands!

DO NOT USE wood blocks or any other non-approved load sustaining devices. The manufacturer only warrants loads to be sustained by jack stands that meet current ASME standards.

DO NOT USE wood blocks or any other non-approved lifting devices for a means of lifting with the jack and or load being raised. Failure to heed these warnings may cause injury or death.

SAFETY MARKINGS



WARNING:

1. Study, understand, and follow all instructions before operating this device.
2. Do not exceed rated capacity.
3. Use only on hard, level surfaces.
4. Lifting device only. Immediately after lifting, support the vehicle with appropriate means.
5. Do not move or dolly the vehicle while on the jack.
6. Lift only on areas of the vehicle as specified by the vehicle manufacturer.
7. No alterations shall be made to this product.
8. Only attachments and/or adapters supplied by the manufacturer shall be used.
9. Do not get under or allow anyone under the vehicle until it has been supported by jack stands.
10. Center load on saddle prior to lifting.
11. Use wheel chocks or other blocking device on opposing wheels before using jack.
12. Do not use this jack for any use other than the manufacturer specified usage.
13. Failure to heed these markings may result in personal injury and/or property damage.



GENERAL SAFETY INSTRUCTIONS

* **Position the Jack**

Position the jack to only lift on the areas of the vehicle as specified by the vehicle manufacturer.

* **Always Use Jack Stands**

After lifting the vehicle always support the load with appropriately rated vehicle Jacks stands before working on the vehicle.

* **Do Not Overload Jack**

Do not overload this jack beyond its rated capacity. Overloading this jack beyond its rated capacity can cause damage to or failure of the jack.

* **Always Use on Hard Level Surfaces**

This jack is designed only for use on hard level surfaces capable of sustaining the load. Use on unstable or other possible loss of load.

* **Chock and Block (Stabilize)**

-Apply parking brake in vehicle before operating jack.

-A chock is a wedge for steadying an object and holding it motionless, or for preventing the movement of a wheel

Chock the wheel opposite the end being lifted.

-When you block a load, you secure and support a load that is being lifted. The block(s) or stabilizer(s) should have a weight capacity that is greater than the weight of the load which is being lifted.

* **Center Load on Jack Saddle**

Center load on jack saddle before lifting vehicle.

Off-center loads and loads lifted when the jack is not level can cause loss of load or damage to the jack.

* **Do not raise or lower the vehicle unless tools, materials and people are clear.**

When the lift is being lowered, make sure everyone is standing at least six feet away. Be sure there are no tools or equipment left under or around the jack before lowering.

* **Always lower the jack slowly.**

* **DO NOT USE THE JACK TO SUPPORT OR STABILIZE A LOAD.**

Using the jack to support or stabilize a load may result in unexpected movement and result in serious injury, being crushed and death. Always securely chock and block (stabilize) the load to be lifted. Never place any part of the body under a raised load without properly chocking and supporting the load.

* **Never use the jack on curved or tubular vehicle**

Bumpers, this will result in the vehicle slipping off the jack and falling, causing serious injury or death. Use a bumper lift to lift most vehicles with curved bumpers or plastic bumpers.

* **Wear ANSI-approved safety glasses and heavy-duty work gloves during use.**

* **Do not adjust the safety valve.**

* **Do not move or dolly vehicle while jack is in use.**

* **Stay alert. Use caution and common sense when operating jack.** Do not use a jack when tired, incoherent, dizzy, under the use of drugs or alcohol.

Training

-Read this manual before use. Do not allow anyone who has not read this manual, and/or does not understand the requirements, use the jack.

Spectators

-Do not allow bystanders around the jack or under the load supported only by the jack. -Do not allow anyone in the vehicle while the jack is in use. Keep all bystanders away from vehicle when in use.

Operators

-Not for use by children or people with reduced mental capacity. Not for use under the influence of drugs or alcohol.

Inspection

-Inspect the jack carefully before each use. Ensure the jack is not damaged, excessively worn, or missing parts. -Do not use the jack unless it is properly lubricated. -Using a jack that is not in good clean working condition or properly lubricated may cause serious injury.

Additional Notes:

Save the receipt, warranty and these instructions.

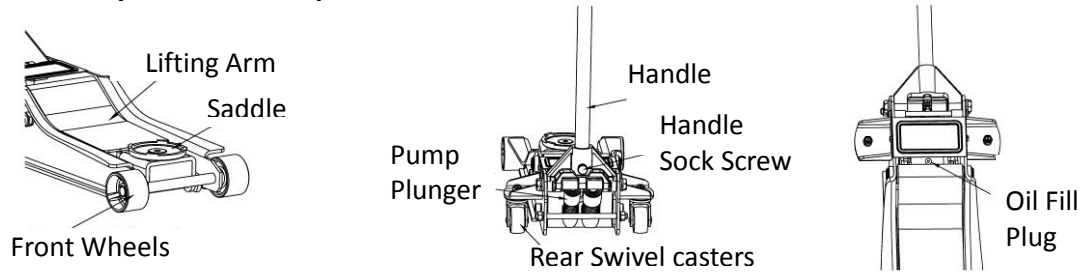
Do not modify the jack in any way. Unauthorized modification may impair the function and/or safety and could affect the life of the equipment. There are specific applications for which the jack was designed.

Always check for damaged or worn out parts before using the jack. Broken parts will affect the equipment operation. Replace or repair damaged or worn parts immediately.

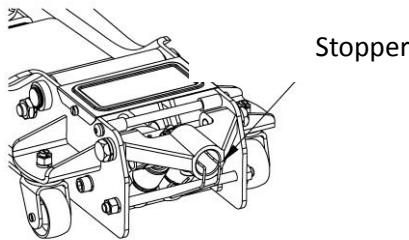
When jack is not in use, store it in a secure place out of the reach of children. Inspect it for good working condition prior to storage and before re-use.

ASSEMBLY

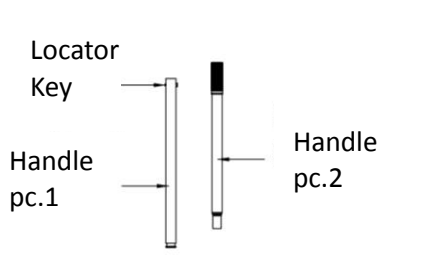
1. Familiarize yourself with the jack.



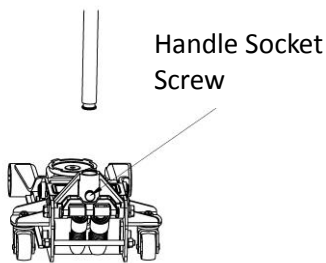
2. **Prior to assembly**, carefully remove the retaining clip attached to the handle socket. **CAUTION:** The socket will tend to spring upward when the clip is removed. To prevent possible injury, place one hand on the top of handle socket to control the upward motion of the handle socket retaining clip, and then carefully remove the retaining clip. After removed slowly allow handle socket to raise back into resting position. (Picture 1)



3. Refer to picture 2 when performing this step. Take off the screw located on handle piece 1; Attach handle pieces 1 and 2 making sure to align the holes on both sections. Reinsert the screw and tighten.



4. Unfasten the screw located in the Handle Socket to insert the assembled handle.



5. Line up the square whole located at the bottom of the handle over the square bolt inside the Handle Socket. (SEE IMAGE STEP 6)

6. Secure the handle in place by tightening the screw in the Handle Socket Without any vehicle on the jack. Cycle the lift up and down several times to insure the hydraulic system is operating properly. (Perform to the Air Purge Procedure before first use.)

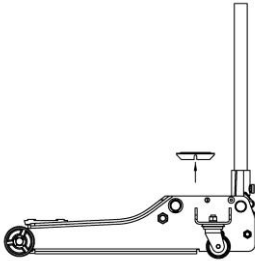
CAUTION: Do not lift or carry jack by handle. Handle could dislodge and jack may fall, resulting in possible injury or property damage.

SYSTEM AIR PURGE PROCEDURE

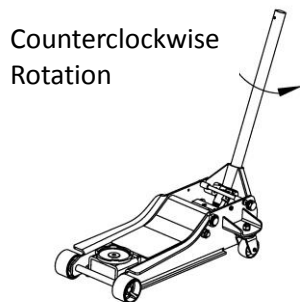
IMPORTANT: BEFORE FIRST USE

Perform the following Air Purge Procedure to remove any air that may have been introduced into the hydraulic system as a result of product shipment and handling. This step is to be completed without any weight on the jack.

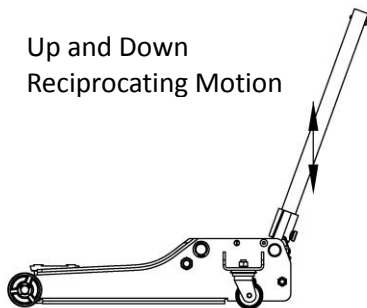
1. Remove the cover plate.



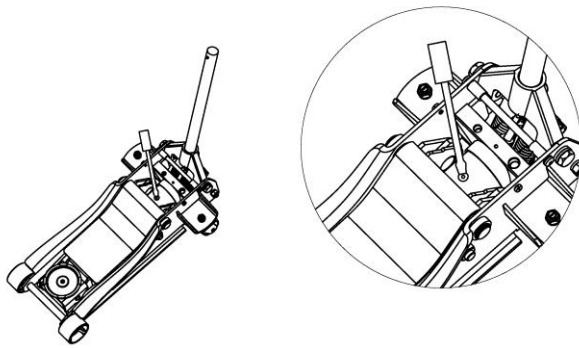
2. Turn release valve **counter-clockwise** one full turn to the open position.



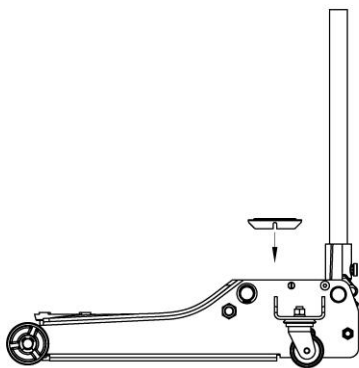
3. Rapidly pump the handle 6-8 times. Leave handle in down position to expose oil fill plug.



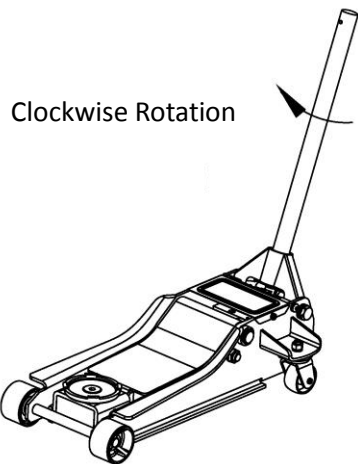
4. With a flat blade screwdriver, push the oil fill plug slightly to the side to purge trapped air from system.
(Use caution not to tear or puncture the oil plug.)



5. Replace the cover plate.



6. Turn release valve clockwise to the closed position.



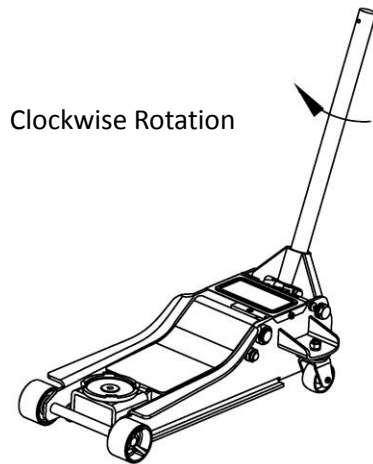
7. Jack is now ready for use. Check for proper pump action.

BEFORE USE

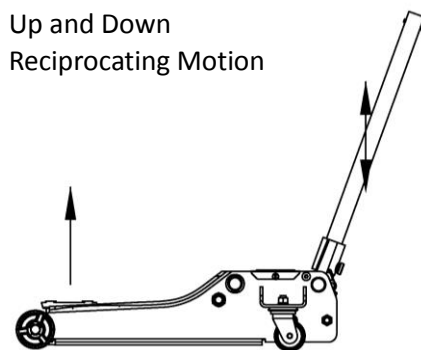
1. Before using this product, read the owner's manual completely and familiarize yourself thoroughly with the product and the hazards associated with its improper use.
2. Perform the air purge procedure. (See previous instructions for system purge procedure.)
3. Check and that the pump operates smoothly before putting into service.
4. Inspect before each use. Do not use if bent, broken or cracked components are noted.

RAISING THE JACK

1. Block the vehicle's wheels for lifting stability. Secure the load to prevent inadvertent shifting and movement
2. Position the jack near desired lift point.
3. Set the Parking Brake in the vehicle.
4. Refer to the vehicle manufacturer owner's manual to locate approved lifting points on the vehicle. Position the jack so that the saddle is centered and will contact the load lifting point firmly.
5. Assemble the handle, ensure to align with slots.
6. Close the release valve by turning it clockwise until it is firmly closed.



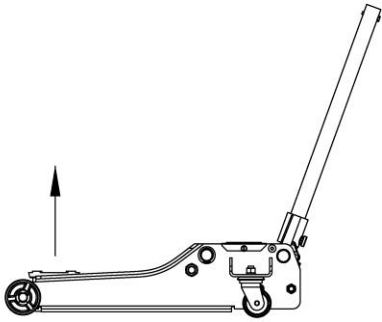
7. Before raising the vehicle double check and verify the saddle is centered and also has full contact with the lifting point.
8. Pump handle to lift until saddle contacts load. Continue to pump the jack handle to lift the vehicle to the desired height. After lifting, support the load with appropriately rated vehicle support stands before working on the vehicle.



CAUTION: NEVER WIRE, CLAMP OR OTHERWISE DISABLE THE LIFT CONTROL VALVE TO FUNCTION BY ANY MEANS OTHER THAN BY USING THE OPERATOR'S HAND. USE THE HANDLE PROVIDED WITH THIS PRODUCT OR AN AUTHORIZED REPLACEMENT HANDLE TO ENSURE PROPER RELEASE VALVE OPERATION. DO NOT USE EXTENSIONS ON THE OPERATING HANDLE.

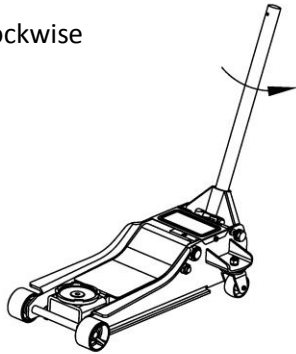
LOWERING THE JACK

1. Raise load high enough to allow clearance for the jack stands to be removed, then carefully remove jack stands.

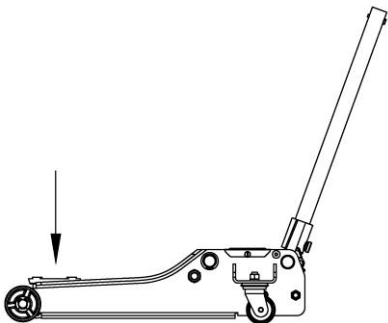



2. Remove support stands.
3. Grasp the handle firmly with both hands. Securely hold on to the jack handle so your hands do not slip and ensure the release valve does not rapidly lower.
4. Carefully open the Release Valve by slowly turning the handle counter-clockwise. Do not allow bystanders around the jack or under the load when lowering the jack.

Counterclockwise
Rotation



5. After removing jack from under the load, keep jack in the lowered position to reduce exposure to rust and contamination.



 **WARNING** USE EXTREME CAUTION WHEN LOWERING THE JACK. THE JACK HANDLE MAY TURN RAPIDLY. OPENING THE RELEASE VALVE TOO FAST CAN CAUSE THE JACK TO LOWER RAPIDLY. FAILURE TO HEED THESE WARNINGS COULD CAUSE SERIOUS INJURY OR DEATH.

MAINTENANCE INSTRUCTIONS

If you use and maintain your equipment properly, it will give you many years of service. Follow the maintenance instructions carefully to keep your equipment in good working condition. Never perform any maintenance on the equipment while it is under a load.

Inspection

You should inspect the product for damage, wear, broken or missing parts (e.g.: pins) and that all components function before each use. Follow lubrication and storage instructions for optimum product performance.

Binding

If the product binds while under a load, use equipment with equal or a larger load capacity to lower the load safely to the ground. After un-binding; clean, lubricate and test that equipment is working properly. Rusty components, dirt, or worn parts can be causes of binding Clean and lubricate the equipment as indicated in the lubrication section. Test the equipment by lifting without a load. If the binding continues, contact Customer Service.

Cleaning

If the moving parts of the equipment are obstructed, use cleaning solvent or another good degreaser to clean the equipment. Remove any existing rust, with a penetrating lubricant.

Lubrication

This equipment will not operate safely without proper lubrication. Using the equipment without proper lubrication will result in poor performance and damage to the equipment. Some parts in this equipment are not self-lubricating inspect the equipment before use and lubricate when necessary. After cleaning, lubricate the equipment using light penetrating oil, lubricating spray.

-Use a good lubricant on all moving parts.

-For light duty use, lubrication is needed once a month.

-For heavy and constant use, lubrication is recommended every week.

-NEVER USE SANDPAPER OR ABRASIVE MATERIAL ON THESE SURFACES!

Rust Prevention:

-Check rams and pump plungers on the power unit assemblies daily for any signs of rust or corrosion.

Without a load lift the equipment as high as it goes and look under and behind the lifting points. If signs of rust are visible clean as needed.

Grease Fittings

-Some models contain grease fittings the will regularly need to be greased and lubricated.

How the Jack Operates

With release valve closed, an upward stroke of the jack handle draws oil from the reservoir tank into the plunger cavity. Hydraulic pressure holds the valve closed, which keeps the oil in the plunger cavity. A downward stroke of the jack handle releases oil into the cylinder, which forces the ram out. This raises the saddle. When the ram reaches maximum extension, oil is bypassed back into the reservoir to prevent an over extended ram stroke and possible damage to the jack. Opening the release valve allows oil to flow back into reservoir. This releases hydraulic pressure on the ram, which results in lowering the saddle.

Storing the Jack

1. Lower the Lifting Arm.

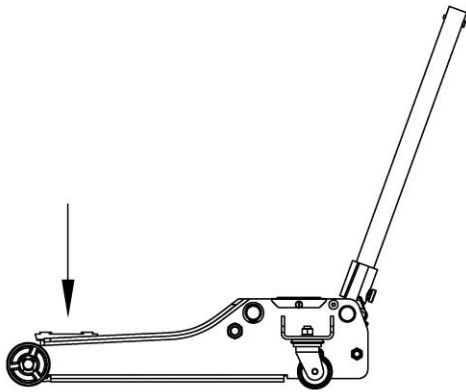
2. Place the handle in the upright position.

3. Store in a dry location, recommended indoors.

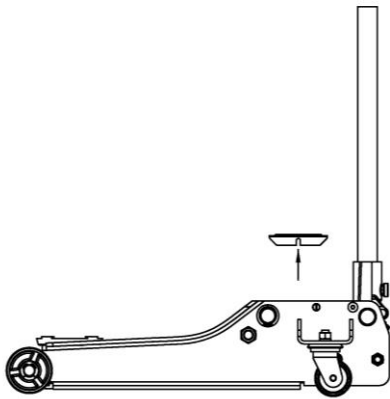
Note: If the jack is stored outdoors, be sure to lubricate all parts before and after use to ensure the jack stays in good working condition.

TO ADD JACK OIL:

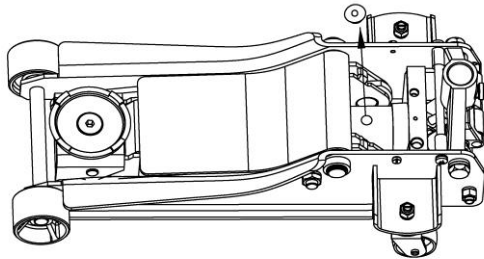
1. Position the jack on level ground and lower the saddle.



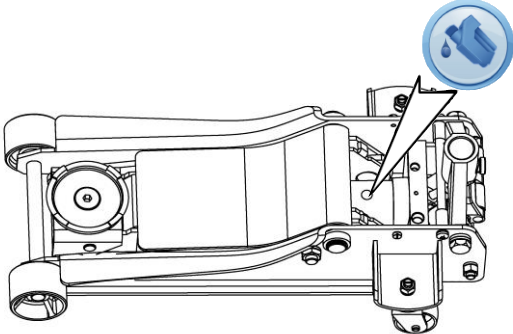
2. Remove the cover plate.



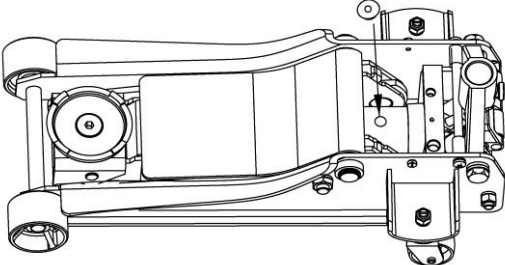
3. Remove the oil plug.



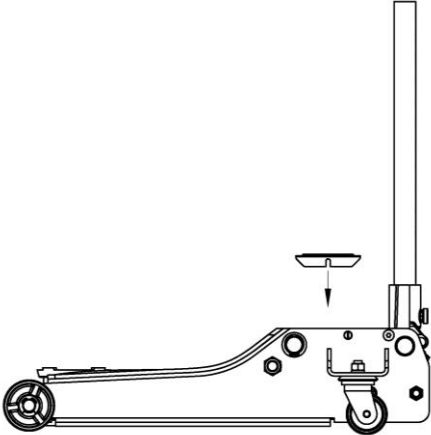
4. Fill the oil case until oil level is just beneath the lower rim of the oil fill hole.



5. Replace oil plug.



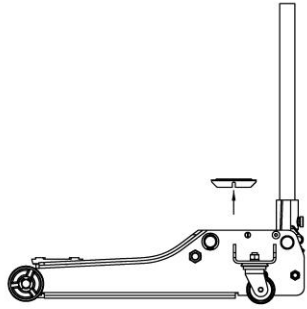
6. Replace the cover plate.



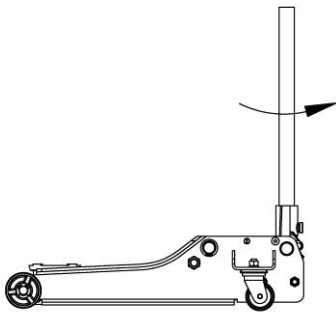
7. Perform the Air Purge Procedure.

TO REPLACE JACK OIL:

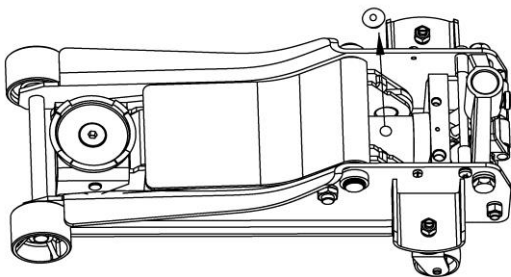
1. Position the jack on level ground and lower the saddle.
2. Remove the cover plate.



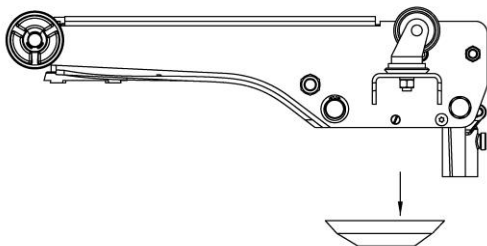
3. Open release valve by turning handle counter-clockwise.



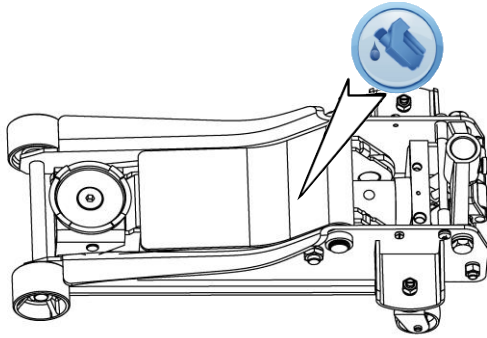
4. Remove the oil fill plug.



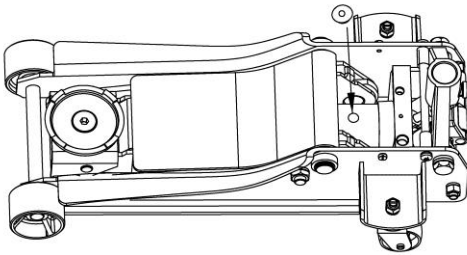
5. Turn the jack on its side to drain old oil from the oil fill hole.



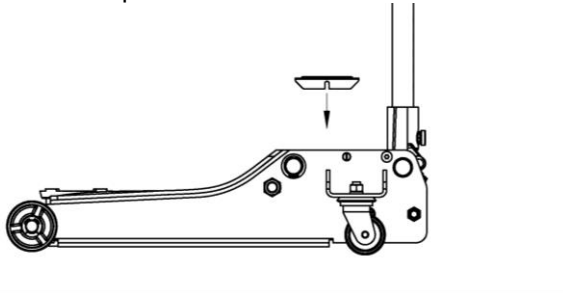
6. Position the jack on level ground and keep saddle in the lowered position. Fill the oil case until oil level is just beneath the lower rim. Keep dirt and other foreign materials clear when pouring.



7. Replace oil plug.



8. Replace the cover plate.



9. Perform Air Purge Procedure.



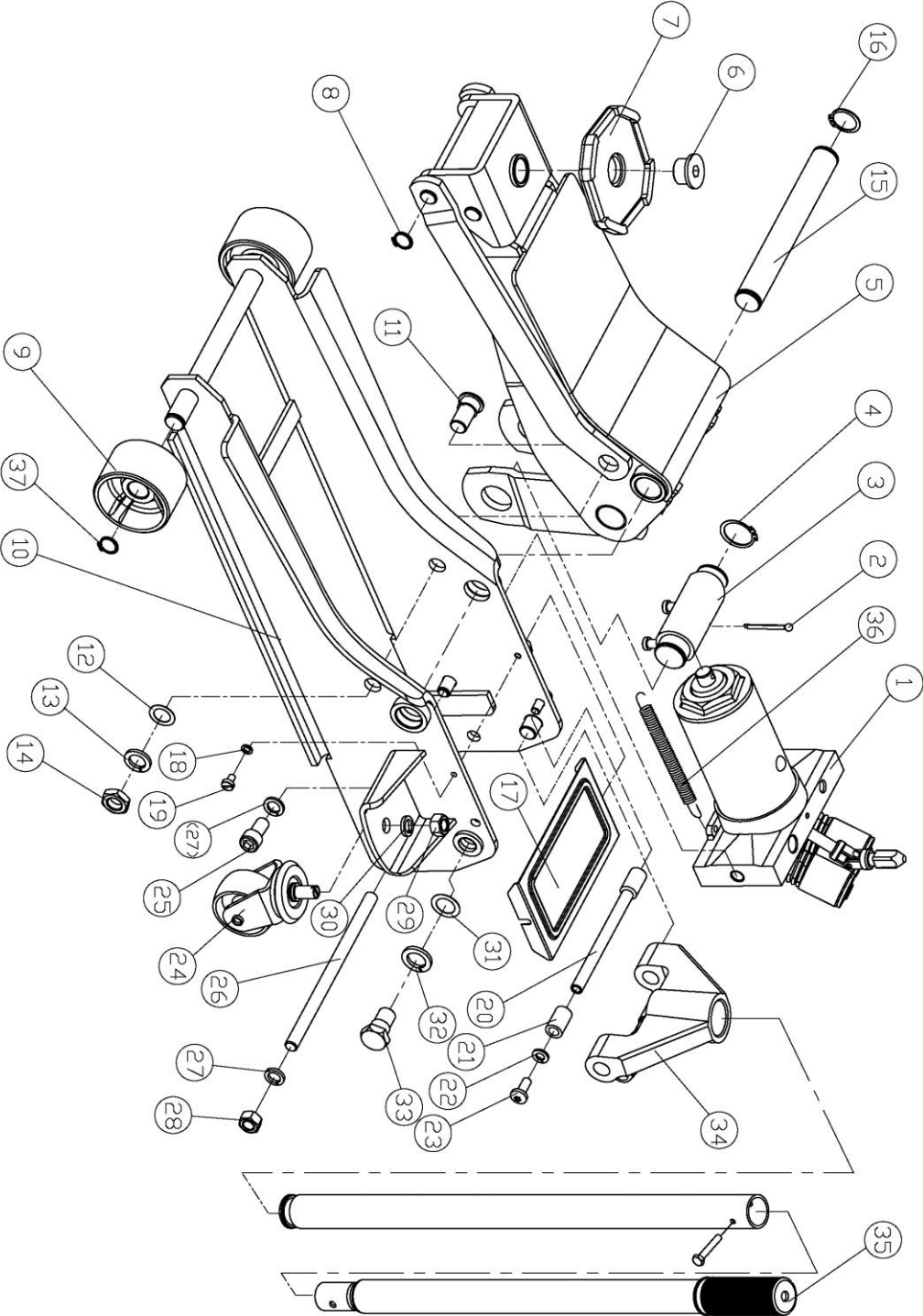
ADDITIONAL WARNINGS:

- DO NOT USE MOTOR OIL IN THE JACK.
- ONLY USE ANTI-FOAMING JACK OIL.
- ALWAYS USE A GOOD GRADE HYDRAULIC JACK OIL.
- DO NOT USE HYDRAULIC BRAKE FLUID, ALCOHOL, GLYCERINE, DETERGENT, MOTOR OIL OR DIRTY OIL.
- USE OF A NON-RECOMMENDED FLUID CAN CAUSE DAMAGE TO A JACK.
- AVOID MIXING DIFFERENT TYPES OF FLUID AND NEVER USE BRAKE FLUID, TURBINE OIL, TRANSMISSION FLUID, MOTOR OIL OR GLYCERIN. IMPROPER FLUID CAN CAUSE PREMATURE FAILURE OF THE JACK AND THE POTENTIAL FOR SUDDEN AND IMMEDIATE LOSS OF LOAD.
- DISPOSE OF HYDRAULIC FLUID IN ACCORDANCE WITH LOCAL REGULATIONS.

Additional Lubrication:

1. Periodically check the pump piston and ram for signs of rust or corrosion. Clean as needed and wipe with an oil cloth. NEVER USE SANDPAPER OR ABRASIVE MATERIAL ON THESE SURFACES!
2. When not in use, store the jack with pump piston and ram fully retracted.

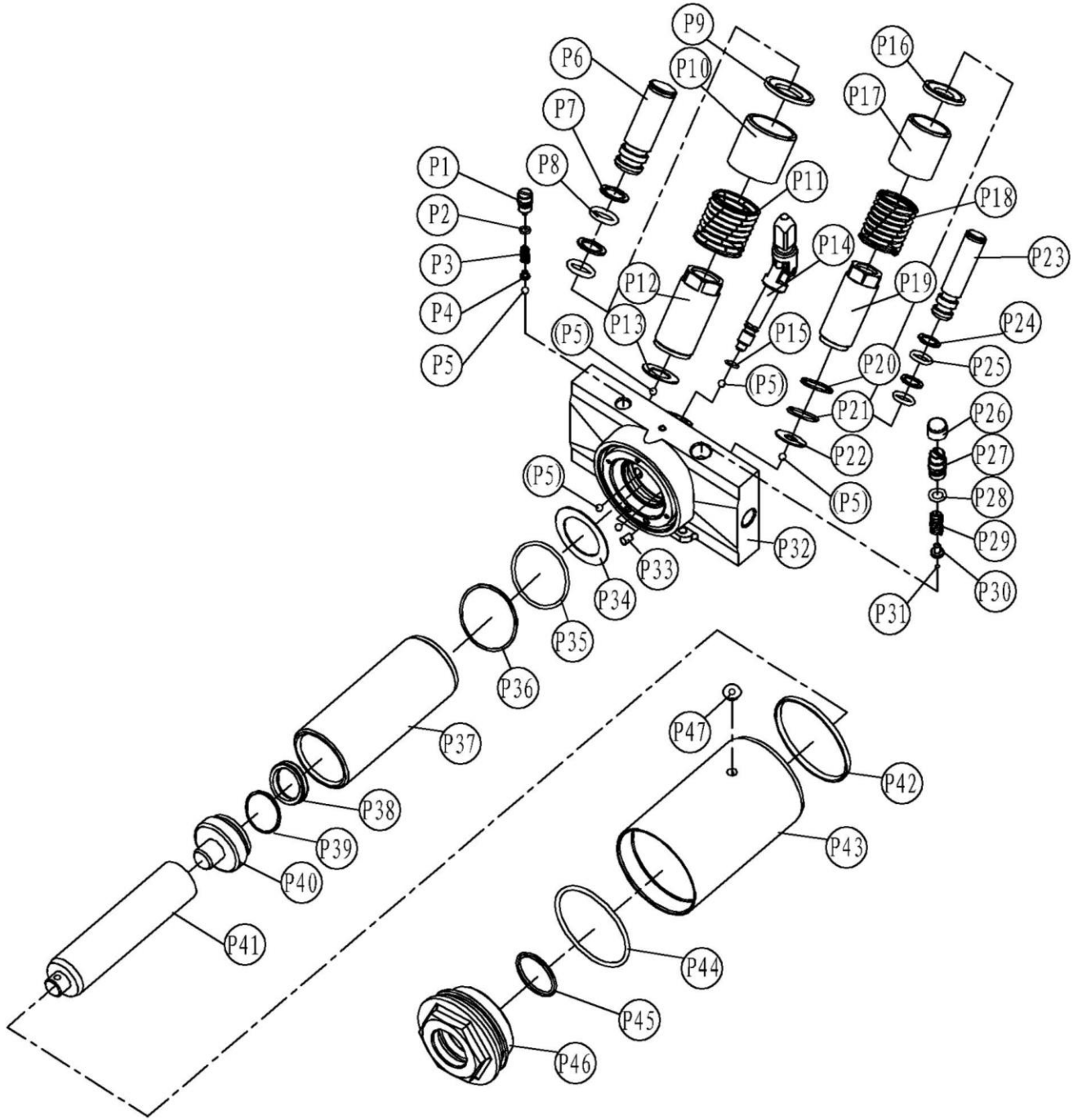
ASSEMBLY DIAGRAM



ASSEMBLY PARTS LIST

| Index # | Part No. | Description | Qty |
|---------|--------------|----------------------|-----|
| 1 | T830021Q.3 | Cylinder Assembly | 1 |
| 2 | GB91 | Cotter Pin 4X40 | 1 |
| 3 | T830021Q.1-1 | Linking Block | 1 |
| 4 | GB894.1 | Retaining Ring 30 | 2 |
| 5 | T830018Z.1 | Lifting Arm Assembly | 1 |
| 6 | T25011L-4 | Saddle Bolt | 1 |
| 7 | T25011L-3 | Saddle | 1 |
| 8 | GB894.1 | Retaining Ring 16 | 2 |
| 9 | T84004-3 | Front Wheel | 2 |
| 10 | T830018Z.3 | Wall Plate Assembly | 1 |
| 11 | QLZ3-7 | Linking Pin | 2 |
| 12 | QLZ3-9 | Washer | 2 |
| 13 | GB859 | Spring Washer 16 | 2 |
| 14 | GB6172 | Nut M16 | 2 |
| 15 | T830021-2 | Supporting Shaft | 1 |
| 16 | GB894.1 | Retaining Ring 25 | 2 |
| 17 | T830018Z-1 | Cover Plate | 1 |
| 18 | GB859 | Spring Washer 6 | 2 |
| 19 | GB67 | Bolt M6X10 | 2 |
| 20 | T830021Q-2 | Back Shaft | 1 |
| 21 | T84004-7 | Rubber Outer | 2 |
| 22 | GB859 | Spring Washer 8 | 2 |
| 23 | GB823 | Bolt M8X20 | 2 |
| 24 | T84006.5 | Rear Wheel Assembly | 2 |
| 25 | GB70 | Bolt M12X25 | 2 |
| 26 | T83000-1 | Back Shaft | 1 |
| 27 | GB859 | Spring Washer 12 | 4 |
| 28 | GB6170 | Nut M12 | 2 |
| 29 | GB6170 | Nut M14 | 2 |
| 30 | GB859 | Spring Washer 14 | 2 |
| 31 | QLZ2C-11 | Washer | 2 |
| 32 | GB859 | Spring Washer 18 | 2 |
| 33 | T830021Q-1 | Right Bolt | 2 |
| 34 | T830021Q.2 | Handle Socket | 1 |
| 35 | T830018E.2 | Handle | 1 |
| 36 | QLZ2A-20 | Spring | 2 |
| 37 | GB894.1 | Split Washer 18 | 2 |

ASSEMBLY DIAGRAM – POWER UNIT



POWER UNIT PARTS LIST

| Index # | Part No. | Description | Qty |
|---------|---------------|-----------------------|-----|
| P1 | T830017.3-14 | Plug Screw | 1 |
| P2 | QLQ2.1-14 | O-Ring | 1 |
| P3 | T830017.3-15 | Spring | 1 |
| P4 | T830017.3-16 | Spring Base | 1 |
| P5 | GB308 | BallΦ6 | 6 |
| P6 | T83508.3-6 | Big Plunger | 1 |
| P7 | T83508.3-10 | Split Washer | 2 |
| P8 | GB3452.1 | O-Ring17X2.65G | 2 |
| P9 | T83508.3-7 | Spring Base | 1 |
| P10 | T83508.3-8 | Spring Barrel | 1 |
| P11 | T83508.3-11 | Spring | 1 |
| P12 | T83508.3-9 | Pump Cylinder | 1 |
| P13 | T83508.3-12 | Rectangular Ring | 1 |
| P14 | T83508.3.1 | Universal Joint Shaft | 1 |
| P15 | QLQ2.1-17 | O-Ring | 1 |
| P16 | T83508.3-13 | Spring Base | 1 |
| P17 | T83508.3-14 | Spring Barrel | 1 |
| P18 | T83508.3-17 | Spring | 1 |
| P19 | T83508.3-16 | Pump Cylinder | 1 |
| P20 | T820010L.4-19 | Back-up Ring | 1 |
| P21 | T820010L.4-20 | O-Ring | 1 |
| P22 | T83508.3-19 | Rectangular Ring | 1 |
| P23 | T83508.3-15 | Small Plunger | 1 |
| P24 | T83508.3-18 | Back-up Ring | 2 |
| P25 | GB3452.1 | O-Ring11.2X2.65G | 2 |
| P26 | T83505.3-24 | Cap | 1 |
| P27 | QLZ3.4-9a | Plug Screw | 1 |
| P28 | GB3452.1 | O-Ring | 1 |
| P29 | QLZ3.4-10 | Spring | 1 |
| P30 | QLZ3.4-11a | Spring Base | 1 |
| P31 | GB308 | BallΦ3 | 1 |
| P32 | T830021Q.3-1 | Base Plate | 1 |
| P33 | QYL50D-35 | Oil filter pipe | 2 |
| P34 | T830021Q.3-2 | Copper Washer | 1 |
| P35 | T830021Q.3-4 | O-Ring | 1 |
| P36 | T830021Q.3-5 | Back-up Ring | 1 |
| P37 | T830021Q.3-3 | Cylinder | 1 |
| P38 | QLZ2C.6-22 | Y-Ring | 1 |
| P39 | QLZ2C.6-23 | Back-up Ring | 1 |
| P40 | QLZ2C.6-20b | Piston | 1 |
| P41 | T830021.4-3 | Rod | 1 |
| P42 | T82008.4-16 | T-Washer | 1 |
| P43 | T830021.4-2 | Reservoir | 1 |
| P44 | GB3452.1 | O-Ring65X3.55G | 1 |
| P45 | GB3452.1 | O-Ring33.5X3.55G | 1 |
| P46 | T830018E.5-2 | Top Cup | 1 |
| P47 | TF1201C-29 | Oil Plug | 1 |

TROUBLESHOOTING

| JACK WILL NOT LIFT LOAD | JACK WILL NOT HOLD LOAD | JACK WILL NOT LOWER | POOR JACK LIFTING | WILL NOT LIFT TO FULL EXTENSION | CAUSES AND SOLUTIONS |
|-------------------------|-------------------------|---------------------|-------------------|---------------------------------|---|
| X | X | | X | | Release valve is not completely closed (Turn handle clockwise). |
| X | | | | | Weight Capacity Exceeded. |
| X | | | X | | Air is in the hydraulics. Purge air from system. |
| X | X | | X | X | Low oil level. Add oil as required. |
| | | X | | | Oil reservoir is overfilled: Drain excessive oil. Lubricate moving parts. |
| | | X | | | Jack is binding or foreign obstruction |
| X | X | | X | | Power unit malfunctioning. Replace the power unit. |

Safe Operating Temperature is between 40°F – 105°F (4°C - 41°C)

REPLACEMENT PARTS

For replacement parts Customer Service at **1-800-222-5381**. Not all equipment components are available for replacement; illustrations provided are a convenient reference of location and position in the assembly sequence. When ordering parts the following will be required: Model Number, Serial Number and Description.

The distributor reserves the rights to make design changes and or improvements to product lines and manuals without notice.

For replacement parts and technical questions, please call 1-800-222-5381.

Limited Warranty

Limited Warranty

Northern Tool and Equipment Company, Inc. ("We" or "Us") warrants to the original purchaser only ("You" or "Your") that the Strongway product purchased will be free from material defects in both materials and workmanship, normal wear and tear excepted, for a period of one year from date of purchase. The foregoing warranty is valid only if the installation and use of the product is strictly in accordance with product instructions. There are no other warranties, express or implied, including the warranty of merchantability or fitness for a particular purpose. If the product does not comply with this limited warranty, Your sole and exclusive remedy is that We will, at our sole option and within a commercially reasonable time, either replace the product without charge to You or refund the purchase price (less shipping). This limited warranty is not transferable.

Limitations on the Warranty

This limited warranty does not cover: (a) normal wear and tear; (b) damage through abuse, neglect, misuse, or as a result of any accident or in any other manner; (c) damage from misapplication, overloading, or improper installation; (d) improper maintenance and repair; and (e) product alteration in any manner by anyone other than Us, with the sole exception of alterations made pursuant to product instructions and in a workmanlike manner.

Obligations of Purchaser

You must retain Your product purchase receipt to verify date of purchase and that You are the original purchaser. To make a warranty claim, contact Us at 1-800-222-5381, identify the product by make and model number, and follow the claim instructions that will be provided. The product and the purchase receipt must be provided to Us in order to process Your warranty claim. Any returned product that is replaced or refunded by Us becomes our property. You will be responsible for return shipping costs or costs related to Your return visit to a retail store.

Remedy Limits

Product replacement or a refund of the purchase price is Your sole remedy under this limited warranty or any other warranty related to the product. We shall not be liable for: service or labor charges or damage to Your trailer incurred in removing or replacing the product; any damages, including, without limitation, damages to tangible personal property or personal injury, related to Your improper use, installation, or maintenance of the product; or any indirect, incidental or consequential damages of any kind for any reason.

Assumption of Risk

You acknowledge and agree that any use of the product for any purpose other than the specified use(s) stated in the product instructions is at Your own risk.

Governing Law

This limited warranty gives You specific legal rights, and You also may have other rights, which vary from state to state. Some states do not allow limitations or exclusions on implied warranties or incidental or consequential damages, so the above limitations may not apply to You. This limited warranty is governed by the laws of the State of Minnesota, without regard to rules pertaining to conflicts of law. The state courts located in Dakota County, Minnesota shall have exclusive jurisdiction for any disputes relating to this warranty.



Distributed by
Northern Tool + Equipment Co., Inc.
Burnsville, Minnesota 55306
NorthernTool.com
Made in China